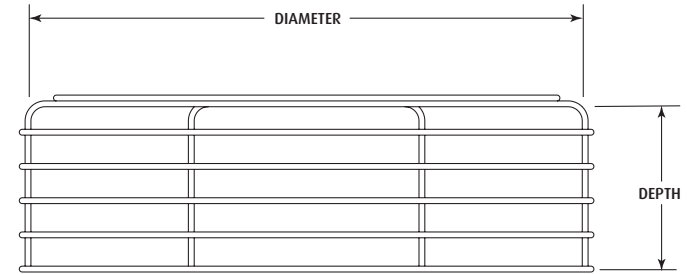
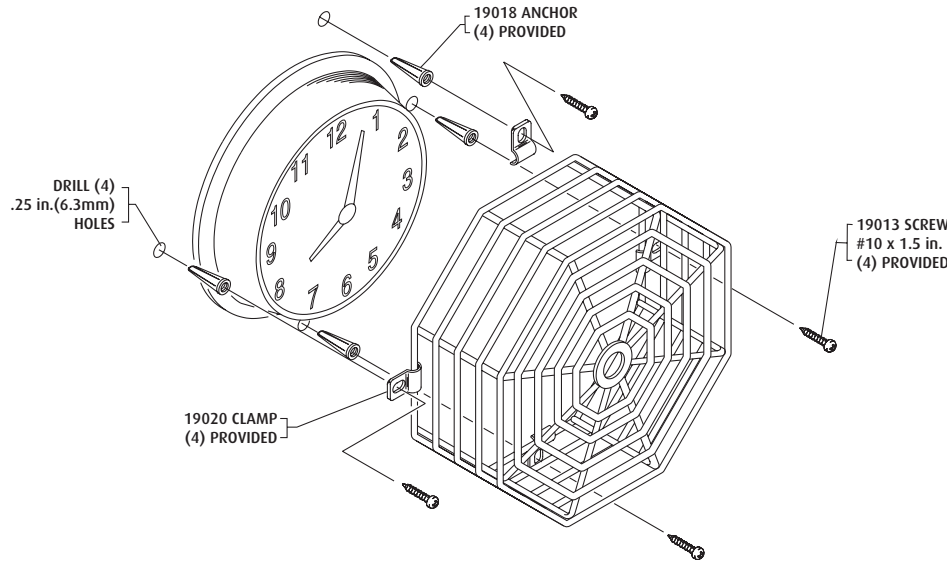




Safety Technology International, Inc.
 2306 Airport Road • Waterford, Michigan 48327-1209
 Phone: 248-673-9898 • Fax: 248-673-1246
 Toll Free: 800-888-4784 • E-mail: info@sti-usa.com
 Web: www.sti-usa.com

Safety Technology International (Europe) Ltd.
 Unit 49G Pipers Road • Park Farm Industrial Estate • Redditch
 Worcestershire • B98 0HU • England • Tel: 44 (0) 1527 520 999
 Fax: 44 (0) 1527 501 999 • Freephone: 0800 085 1678 (UK only)
 E-mail: info@sti-europe.com • Web: www.sti-europe.com



STI CLOCK/BELL GUARD

INSTALLATION INSTRUCTIONS

1. Center the wire guard over existing clock or bell.
2. Locate clamps around perimeter. Mark and drill (4) holes. See pictorial for size.
Lag Bolts - If lag shields and lag bolts are used, make sure anchor is flush with surface. Position guard, insert lag bolt and tighten. Length of bolt should be selected to assure full thread engagement in anchor. For installations that require tamperproof fasteners, order SUB-81 stainless steel screws and 19038 bit.

Model	Diameter	Depth
STI-9631	10.5 in. (267 mm)	6.0 in. (152 mm)
STI-9632	16.5 in. (419 mm)	6.0 in. (152 mm)
STI-9633	20 in. (508 mm)	6.0 in. (152 mm)

Electronic warranty form at www.sti-usa.com/wc14

INSTALLATION OF STI CLOCK/BELL DAMAGE STOPPER STI-9631 - STI-9633

All specifications and information shown were current as of publication and are subject to change without notice.

9631 SEPT2009



ADDITIONAL WIRE GUARDS AVAILABLE

Visit www.sti-usa.com for complete details

SMOKE DETECTOR COVERS

STI-9601	Low profile - Flush mount	STI-9609-SS	High profile - Flush mount - Stainless Steel
STI-9601-SS	Low profile - Flush mount - Stainless Steel	STI-9610	High profile - Surface mount
STI-9602	Low profile - Surface mount	STI-9712	Photoelectric - Surface mount
STI-9604	Mini - Flush mount	STI-9713	Photoelectric - Flush mount
STI-9604-SS	Mini - Flush mount -Stainless Steel		
STI-9605	Mini - Surface mount		
STI-9605-SS	Mini - Surface mount - Stainless Steel		
STI-9609	High profile - Flush mount		



STI-9601



STI-9604-SS

PIR GUARDS

STI-9618	Corner Mount		
STI-9619	Corner Mount		
STI-9620	6.25 x 4 x 2.25"		
STI-9621	7 x 5.75 x 4.50"		
STI-9622	8.75 x 4 x 3.75"		



STI-9618



STI-9621

EXIT SIGN WIRE CAGES

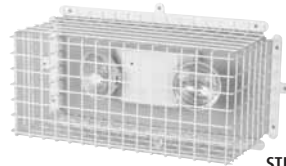
STI-9640	10.5 x 13.75 x 2.75"		
STI-9740	15.5 x 20.5 x 6"		



STI-9640

EMERGENCY LIGHT CAGES

STI-9641	10.7 x 14.6 x 4"		
STI-9644	8.7 x 17.7 x 5"		
STI-9645	13.8 x 21.7 x 5.9"		
STI-9649	10.75 x 24.75 x 11.25"		
STI-9703	5 x 13.5 x 4"		



STI-9649

MISCELLANEOUS WIRE CAGES

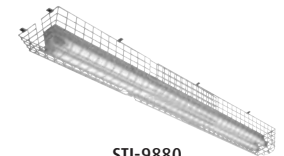
STI-9651	Fluorescent Light Damage Stopper®	STI-9720	Speaker Strobe Damage Stopper® - Surface
STI-9705	Horn/Strobe/Speaker Damage Stopper® - Flush	STI-9730	Wire Guard Damage Stopper®
STI-9708	Horn/Strobe/Speaker Damage Stopper - Surface	STI-9796	Outdoor Light Damage Stopper®
STI-9711	Horn/Strobe/Speaker Damage Stopper - Flush	STI-9880	Fluorescent Lighting Damage Stopper® - Small
STI-9714	Horn/Strobe/Speaker Damage Stopper - Surface	STI-9881	Fluorescent Lighting Damage Stopper® - Large
STI-9717	Speaker/Strobe Damage Stopper® - Flush		



STI-9705



STI-9796



STI-9880

BEAM SMOKE DETECTORS

STI-9623	For DS240 and DS241
STI-9624	For Fireray 50/100R
STI-9625	For System Sensor Beam Smoke Detector 6424
STI-9706	Flush Mount
STI-9707	Surface Mount



STI-9624



STI-9625

CLOCK/BELL WIRE CAGES

STI-9631	10.5" Diameter
STI-9631-SS	10.5" Diameter - Stainless Steel
STI-9631-R	10.5" Diameter - Red
STI-9632	16.5 Diameter
STI-9632-SS	16.5 Diameter - Stainless Steel
STI-9633	20" Diameter



STI-9632

BAY LIGHT WIRE CAGES

STI-9702	For Hubbell® Superbay Lights - 21.43 x 22.50"
STI-9709	For Hubbell® Superbay Lights - 24.5 x 26"



STI-9702

BEACON & SOUNDER CAGES

STI-9614	7.9 x 6"
STI-9615	3.7 x 3.5"
STI-9617	5.9 x 4.9"
STI-9664	3.86 x 6.18"
STI-9665	7 x 8.43"



STI-9615



STI-9664